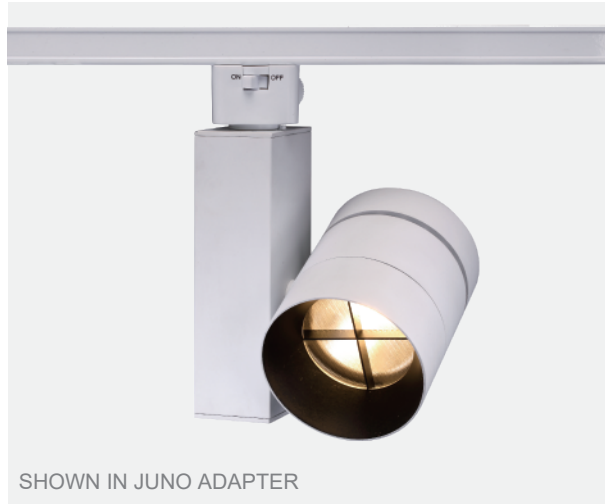


Specification sheet

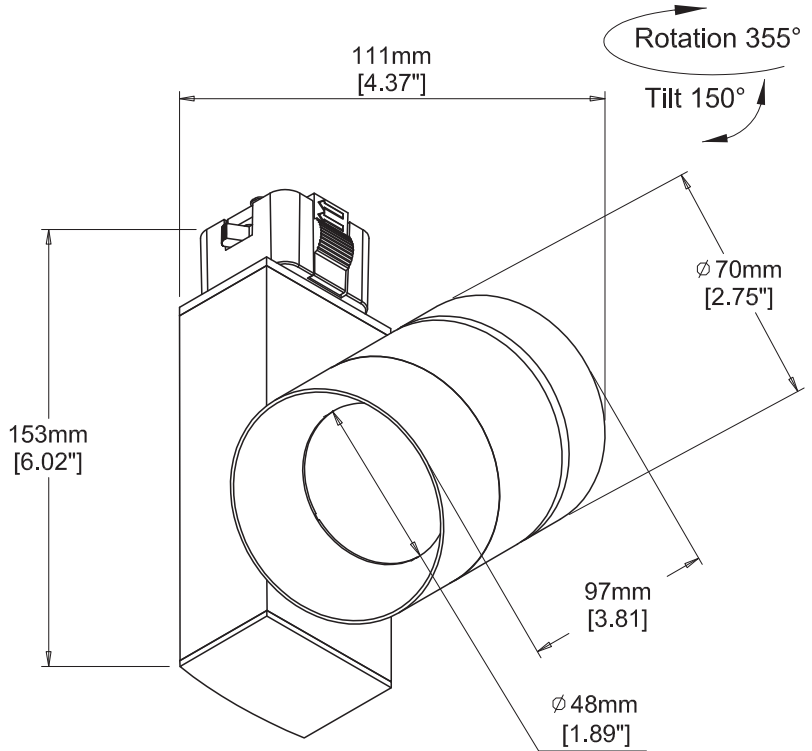
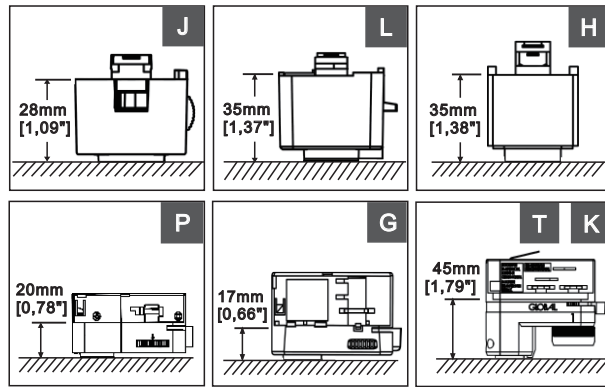
REV. 1

Classic VS3 Vertical Spot Midi (Global / Juno /Halo/Power Gear)



1. Juno is a registered trademark of Juno Lighting
2. Halo is a registered trademark of Cooper Lighting
3. Lightolier is a registered trademark of Philips Lighting

SHOWN IN JUNO ADAPTER



Description

Classic VS3 is a high-performance and versatile LED track spotlight designed for any professional, commercial, and architectural applications. This luminaire delivers up to 1700 lm while consuming just 20 watts. The soft-focus lens and glare-cutoff bezel provides superior visual experiences. Owing to a twist-lock bezel design, the reflectors and accessory chambers are easily accessible in the field. The accessory chamber could hold up to three accessories for the most demanding applications. Integrated class 2 isolated driver is fine-tuned to provide best dimming performance and efficacy for this luminaire. Classic VS3 offers a wide array of options for beam angles, track adapters, and accessories making it suitable for your most demanding projects.

Features

LED	CREE CXB Family M LED Array
Color temperature	2700K, 3000K, 3500K, 4000K
Optics	Spot 18° / Medium 25° / Wide 42°
Accessories	Cross baffle accessory
Driver	Integrated Class 2 driver, Power Factor >0.90

Performance

Delivered output	1600 lm
Power consumption	21 Watt
Color rendering	CRI 80+ / CRI 90+
CBCP	Spot 6038 cd/ Medium 4712 cd/ Wide 3594cd

Electrical and Control

Input voltage	See the ordering code
Control	TRIAC/ELV dimming
Feature	0-10V(Please consult factory) Overload & short circuit protection

Construction

Material	Aluminum
Finishes	Black/ White
Lens	Interchangeable optics

Rating/ Certification/ Warranty

- Dry and damp Locations
- RoHS compliant
- UL classified E465197
- 5 years/ 50,000 hrs warranty

Ordering Code Information

PRODUCT	TRACK SYSTEM	LUMEN	COLOR TEMPERATURE	FINISH	BEAM ANGLE	INPUT VOLTAGE
CLS VS3	J	16	27	WH	S	1

CLS VS3

H Halo track compatible
 J Juno track compatible
 L Lightoller track compatible
 G Global-3 circuit, GA69
 K Global HTEK HTEK100
 P Power Gear- 3 wire, 3 circuit
 T Global TEK TEK100

16 1600 lm

27 (2700K)
 30 (3000K)
 35 (3500K)
 40 (4000K)

WH (White)
 BK (Black)
 AL (Aluminium)
 NM (Nature Metalized)

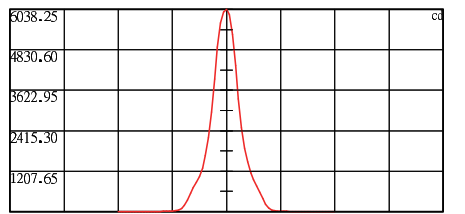
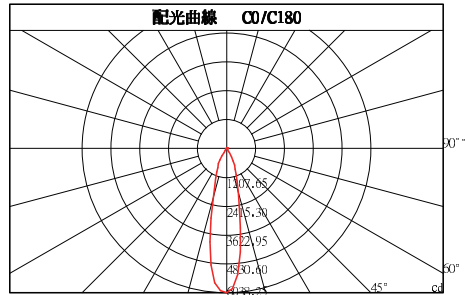
S (Spot) / 18 deg.
 M (Medium) / 25 deg.
 W (Wide) / 42 deg.

1 (120V)
 2 (120-240V)
 3 (120-277V)
 4 (220-240V)
 7 (277V)

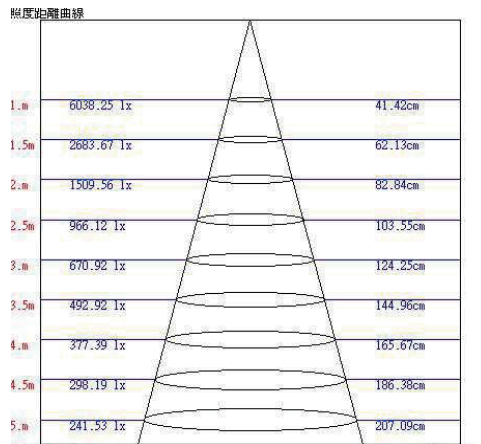
Photometric Data : Distribution Curve

Classic VS3 Vertical Spot Midi

18° Beam Spread
 3000K
 > 1634lm
 Efficacy > 75LPW

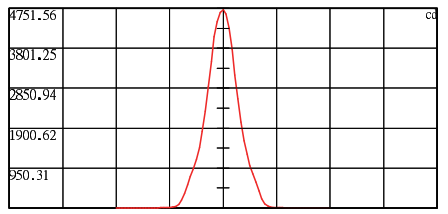
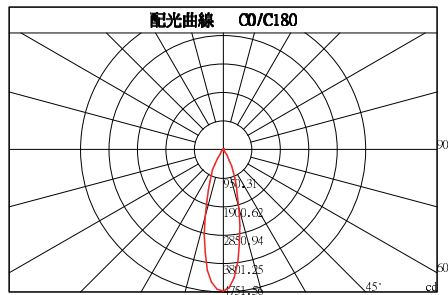


-180° 0° 180°

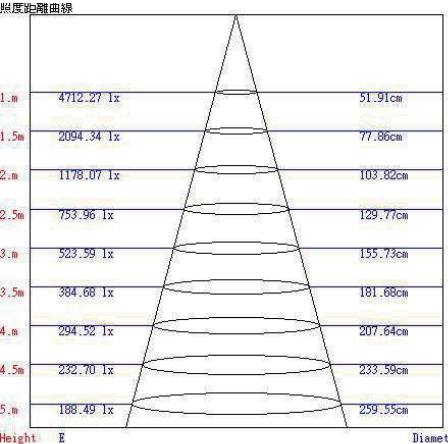


Height E Diameter
 Beam Angle:23.40°

25° Beam Spread
 3000K
 > 1576lm
 Efficacy > 73LPW

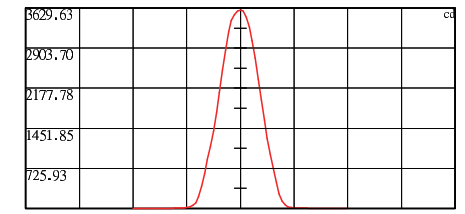
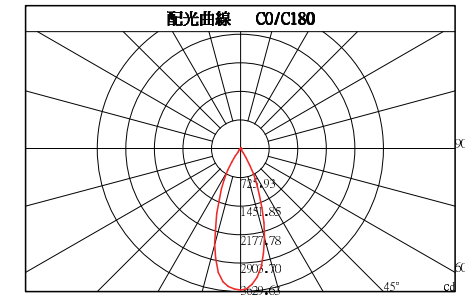


-180° 0° 180°

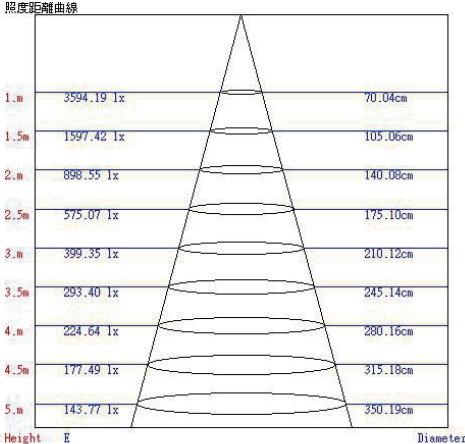


Height E Diameter
 Beam Angle:29.10°

42° Beam Spread
 3000K
 > 1656lm
 Efficacy > 76LPW



-180° 0° 180°



Height E Diameter
 Beam Angle:38.60°

Optional Accessory

Cross Baffle

VS3	CB	BK
-----	----	----

CLS VS3

Cross Baffle

BK Black

